

# **SC-71Ni2SR**

FLUX CORED ARC WELDING CONSUMABLE  
FOR WELDING OF LOW-TEMPERATURE  
SERVICE STEEL

2022.02

---

**HYUNDAI WELDING CO., LTD.**



# SC-71Ni2SR

## ❖ Specification

<i>AWS A5.29</i>	E71T1-GC
<i>(AWS A5.29M)</i>	E491T1-GC
<i>EN ISO 17632-A</i>	T 42 6 2Ni P C1 1

## ❖ Applications

SC-71Ni2SR is a titania type flux cored wire for welding of low-temperature service steel

## ❖ Characteristics on Usage

SC-71Ni2SR is a titania-type flux cored wire to be used with 100%CO<sub>2</sub> gas shielding. It provide excellent notch toughness at low temperature, not only as-welded but also stress relieved state

## ❖ Note on Usage

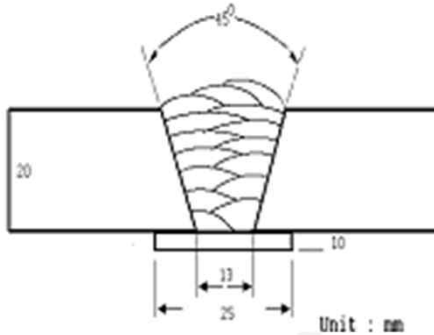
1. For preheating guidelines, please refer to your local standards and codes relative to your best practices.
2. Use 100% CO<sub>2</sub> gas.



## Mechanical Properties & Chemical Composition of All Weld Metal

### ❖ Welding Conditions

Method by AWS Spec.



[ Joint Preparation & Layer Details ]

Welding Position	: 1G(PA)
Diameter(mm)	: 1.2mm
Shielding Gas	: 100% CO <sub>2</sub>
Flow Rate(ℓ /min.)	: 20
Amp./ Volt.	: 260~280 / 29~31
Stick-Out(mm)	: 20~25
Pre-Heat(°C)	: R.T .
Interpass Temp.(°C)	: 150±15
Polarity	: DC(+)

### ❖ Mechanical Properties of all weld metal

Consumable	Tensile Test			CVN Impact Test J(ft · lbs)			Remark
	YS MPa (lbs/in <sup>2</sup> )	TS MPa (lbs/in <sup>2</sup> )	EL (%)	-60°C	-70°C	-75°C	
SC-71Ni2SR	530(77,000)	570(83,000)	30.0	110(81)	98(72)	69(51)	As welded
	510(74,000)	550(80,000)	32.0	102(75)	79(58)	-	PWHT (550°C × 2hr)
AWS A5.29	≥ 400 (58,000)	490~620 (70,000~ 90,000)	≥ 22	-			-

### ❖ Chemical Analysis of all weld metal(wt%)

Consumable	C	Si	Mn	P	S	Ni
SC-71Ni2SR	0.04	0.28	0.9	0.012	0.011	2.0
AWS A5.29 E71T1-GC	-	≤1.0	≥0.5	≤0.03	≤0.03	≥0.5

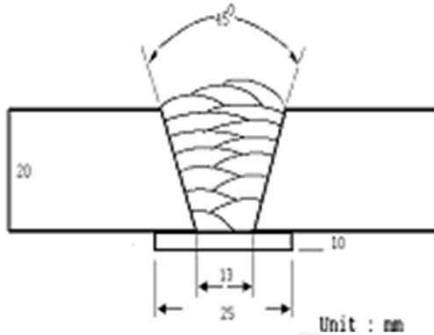
This information is provided solely for the purpose of confirming product conformance with applicable standards. The serviceability of a product or structure utilizing this type of information is and must be the sole responsibility of the builder/user. Many variables beyond the control of HYUNDAI WELDING CO., LTD. affect the results obtained in applying this type of information. These variables include, but are not limited to, welding procedure, shielding gas, plate chemistry and temperature, weldment design, fabrication methods and service requirements.



## Mechanical Properties & Chemical Composition of All Weld Metal

### ❖ Welding Conditions

Method by AWS Spec.



[ Joint Preparation & Layer Details ]

Welding Position	: 1G(PA)
Diameter(mm)	: 1.4mm
Shielding Gas	: 100% CO <sub>2</sub>
Flow Rate(ℓ /min.)	: 20
Amp./ Volt.	: 290~310 / 29~32
Stick-Out(mm)	: 20~25
Pre-Heat(°C)	: R.T .
Interpass Temp.(°C)	: 150±15
Polarity	: DC(+)

### ❖ Mechanical Properties of all weld metal

Consumable	Tensile Test			CVN Impact Test (Joule)			Remark
	YS MPa (lbs/in <sup>2</sup> )	TS MPa (lbs/in <sup>2</sup> )	EL (%)	-60°C	-70°C	-75°C	
SC-71Ni2SR	535(78,000)	575(83,000)	30.0	113(83)	92(68)	66(49)	As welded
	515(75,000)	555(80,000)	31.5	98(72)	80(59)	-	PWHT (550°C × 2hr)
AWS A5.29	≥ 400 (58,000)	490~620 (70,000~ 90,000)	≥ 22	-			-

### ❖ Chemical Analysis of all weld metal(wt%)

Consumable	C	Si	Mn	P	S	Ni
SC-71Ni2SR	0.04	0.27	0.9	0.012	0.011	2.1
AWS A5.29 E71T1-GC	-	≤1.0	≥0.5	≤0.03	≤0.03	≥0.5

This information is provided solely for the purpose of confirming product conformance with applicable standards. The serviceability of a product or structure utilizing this type of information is and must be the sole responsibility of the builder/user. Many variables beyond the control of HYUNDAI WELDING CO., LTD. affect the results obtained in applying this type of information. These variables include, but are not limited to, welding procedure, shielding gas, plate chemistry and temperature, weldment design, fabrication methods and service requirements.



## Welding Efficiency

### ❖ Deposition Rate & Efficiency

Consumable (size)	Welding Conditions		Deposition Efficiency(%)	Deposition Rate(kg/hr)
	Amp.(A)	Volt.(V)		
SC-71Ni2SR 1.2mm	200	26	84~86	2.4
	250	30	84~86	3.5
	300	33	85~87	4.5
SC-71Ni2SR 1.4mm	250	27	84~86	2.4
	300	31	84~86	3.3
	350	35	85~87	4.4
Remark			Deposition efficiency =(Deposited metal weight/ Wire weight used)×100	Deposition rate =(Deposited metal weight/ Welding time,min.)×60

\* Shielding Gas : 100%CO<sub>2</sub>



## Diffusible Hydrogen Content

### ❖ Welding Conditions

Diameter(mm)	: 1.2	Amps(A) / Volts(V)	: 280 / 31
Shielding Gas	: 100%CO <sub>2</sub>	Stick-Out(mm)	: 20~25
Flow Rate(ℓ /min.)	: 20	Welding Speed	: 30 cpm
Welding Position	: 1G (PA)	Current Type & Polarity	: DC(+)

### ❖ Hydrogen Analysis Using Gas Chromatography Method

Hydrogen Evolution Time	: 72 hrs
Evolution Temp.	: 45 °C
Barometric Pressure	: 780 mm-Hg

### ❖ Result(ml/100g Weld Metal)

X1	X2	X3	X4
3.8	4.1	4.0	4.0

**Average Hydrogen Content 4.0 ml / 100g Weld Metal**



# SC-71Ni2SR

## ❖ Proper Current Range

Consumable	Shielding Gas	Welding Position	Wire Dia. (mm)
			1.2mm
SC-71Ni2SR	100% CO <sub>2</sub>	Flat	150~300 Amp
		V-up Over head	170~230 Amp
		V-down	180~300 Amp

## ❖ AUTHORIZED APPROVAL DETAILS

Welding Position	Register of shipping & Size(mm)		
	LR	DNV	KR
All V-Down	4YS H5 1.2~1.4	VYMS(H5) 1.2~1.4	L3SG(C) H5 1.2~1.4

## ❖ F No & A No

F No	A No
6	10

This information is provided solely for the purpose of confirming product conformance with applicable standards. The serviceability of a product or structure utilizing this type of information is and must be the sole responsibility of the builder/user. Many variables beyond the control of HYUNDAI WELDING CO., LTD. affect the results obtained in applying this type of information. These variables include, but are not limited to, welding procedure, shielding gas, plate chemistry and temperature, weldment design, fabrication methods and service requirements.